

POSHTECH

HORIZONTAL MACHINING CENTER



JEOU YANG MACHINERY



ISO30 / ISO25 Built-in Type Spindle (Optional)

- Choice of 24,000 or 30,000 rpm.
BT30 spindle taper.

H P C

High Speed
Precisely B
Compact Co



Precision Ball Screws on 3 Axes

- The X, Y, Z-axis movements are driven by high performance servomotors.
Ball screws are directly driven by servomotors through couplings to assure high positioning accuracy at all times.

Linear Ways on 3 Axes

- High precision linear guideways on X,Y,Z-axes provide high speed traverses and reduced friction, while improving positioning accuracy.



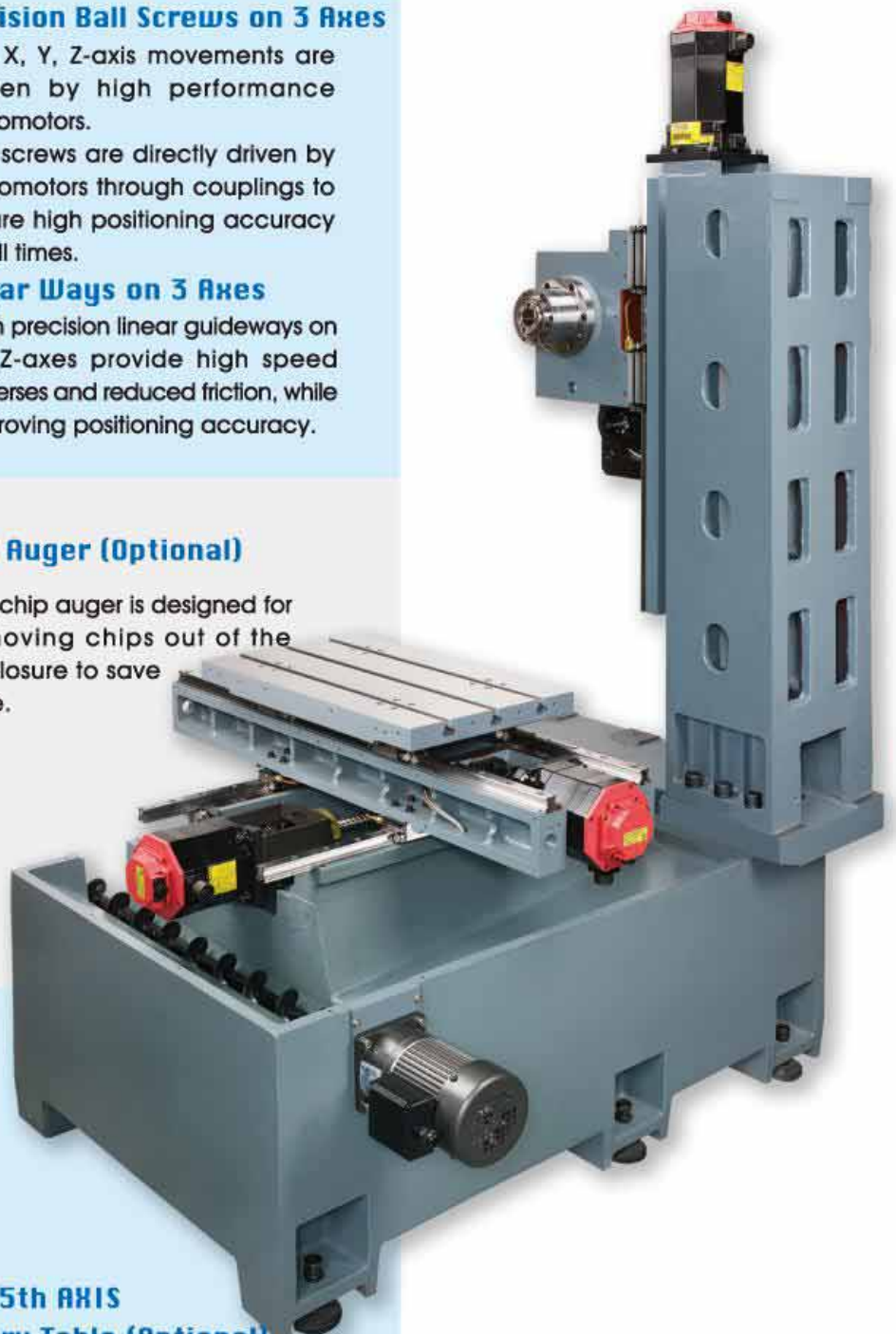
Chip Auger (Optional)

- The chip auger is designed for removing chips out of the enclosure to save time.



4th/5th AXIS Rotary Table (Optional)

- Easy to operate
- Economic
- Occupies less space



Machining ! Efficient ! Construction !

Now you can solve your low profit problem due to low efficiency and high labor costs. **POSHTECH JH450** makes production savings possible by its high speed machining capability and rigid construction.



◀ **Armless Type Magazine (Standard)**
10 Tools, BT-30 Tool Shank

•The tool selection method is bi-directional, providing fast tool change in 6 seconds. The armless type magazine accepts BT-30 tool shanks and BT-40 (Optional).

Arm Type Magazine (Optional) ▶
20 Tools, BT-30 Tool Shank

•The tool selection method is random and bi-directional, providing fast tool change in only 1.5 seconds. This arm type magazine accepts BT-30 tool shanks.



Choice of CNC Controls



• MITSUBISHI

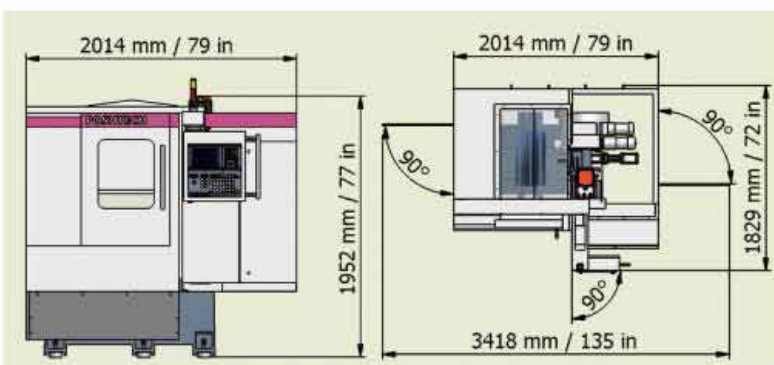


• SYNTEC

POSHTECH-JH 450

Model		JH 450	
Table			
Table size (X/Y)	mm	550x350	22x14in
T-slot (size*number)		14x100x3	.5x4in-3 slotin
Max. table loading	kg	150	330lbs
Travel			
Longitudinal travel (X)	mm	450	17.7in
Cross travel (Y)	mm	350	13.8in
Headstock travel (Z)	mm	350	13.8in
Distance of spindle nose to table surface	mm	35-385	1.4-15in
Distance of spindle nose To tablecenter	mm	165-515	6.5-20in
Spindle			
Spindle taper		BT30	
Spindle speed (standard)	rpm	10000 or 12000	
Feed			
Rapid travel	M/min	30/30/30	1,180in/min
Min. input increment	mm	0.001	.0001in
ATC			
Tool holder		BT30	
Tool storage capacity	pcs	10 Armless	
Max. tool diameter	mm	63	2.5in
Max. tool length	mm	150	5.9in
Max. tool weight	kg	3	6.6lbs
Tool change time		6 sec	
Motor			
Spindle motor		3.7/5.5kw	7.5Hp
X servo motor	kw	1.0	1.3Hp
Y servo motor	kw	1.0	1.3Hp
Z servo motor	kw	1.0 with Brake	1.3Hp
Lub. motor	w	105/125	
Coolant pump	HP	1/2 & 1/4 hp	
Machine weight and space			
Floor space	mm	2030x1800x2070	80x71x81in
Net weight	kg	2000	4413lbs

* Specifications are subject to change without notice.



Standard Accessories:

- Massive cast-iron construction
- 10000 (Fanuc) or 12000 rpm spindle speed
- Direct-coupled servo motors
- Full splash safety guard
- Air cooling system
- Spindle air blast
- Spindle air blower
- Auto lubrication system
- Cycle end alarm light
- Halogen work lamp
- Leveling Bolts and pads
- Toolkit box
- Operation & Maintenance Manual

Optional Accessories

- 15000 rpm direct drive spindle
- 20000 rpm built-in spindle (ISO 30) or 30000 rpm (ISO 25)
- **Coolant Through Spindle** Pump 4Bar., 20L/min, 300L SubTank
- Oil chiller for spindle
- Chip auger
- **Auto Pallet Changer**
- CNC Rotary table (4 Axis or 5 Axis)
- **Auto Tool Length Measurement**
- 20 tool Arm-type **ATC** (1.5 sec)
- 40 tool Arm-type **ATC** (1.5 sec) (#30 Taper Only)
- BT 30, BT40 Armless 10 Tools
- High column 100mm or 150mm

Agent

JEU YANG MACHINERY CO., LTD

NO. 197, MIN-SHENG ST., TAN-TZU TAICHUNG, TAIWAN, ROC.

TEL: +886 4 2537-0971

FAX: +886 4 2537-0984

E-mail: poshtech@ms36.hinet.net

web: www.poshtech.com.tw